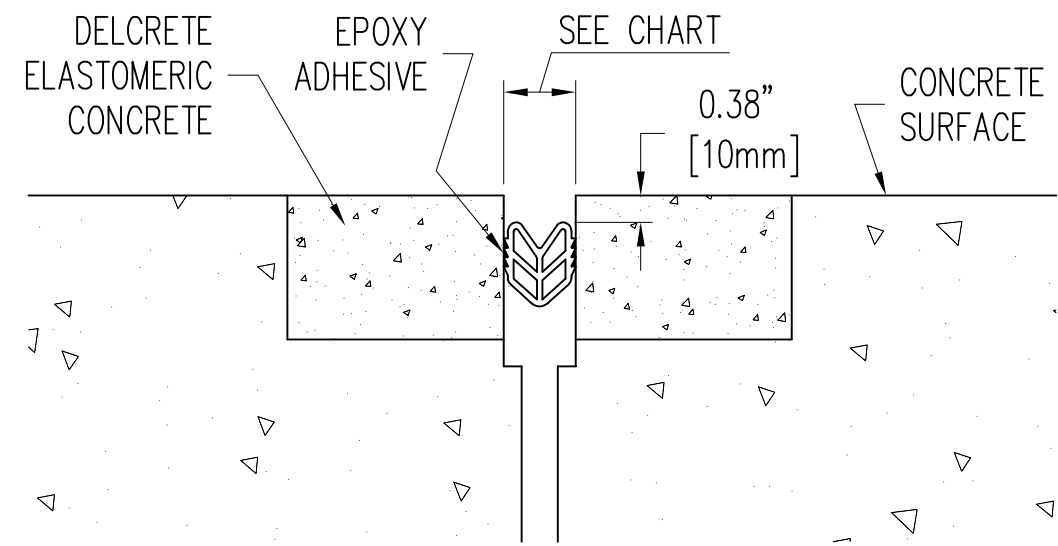
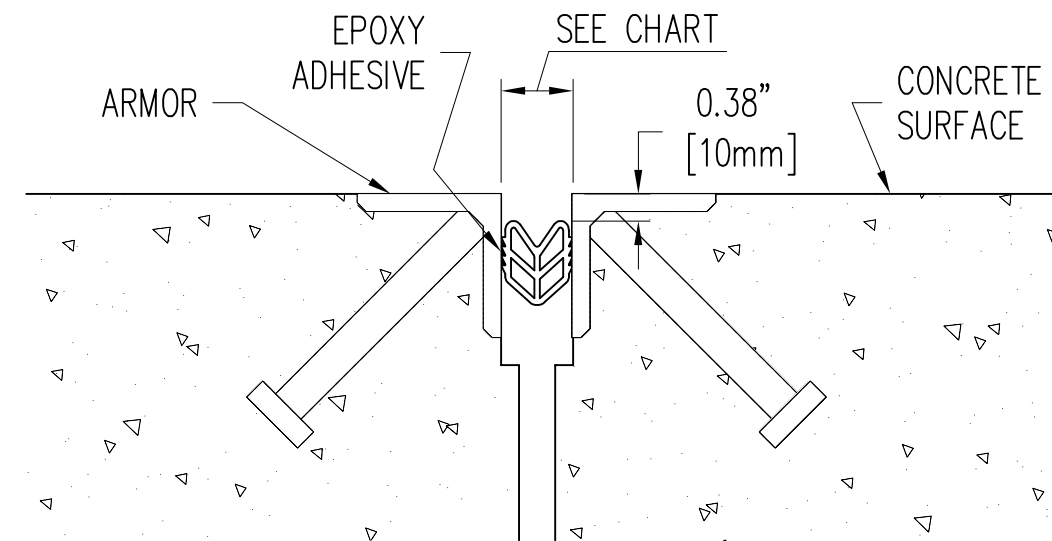


CONCRETE JOINT



DELCRETE HEADER

PRODUCT SIZE & MOVEMENT - INCHES (mm)						
SEAL SIZE			MOVEMENT			
NAME	WIDTH	HEIGHT	MIN. WIDTH	MID-RANGE	MAX. WIDTH	TOTAL MOVEMENT
J-100	1.00" (25)	1.19" (30)	0.50" (13)	1.00" (25)	1.50" (38)	1.00" (25)
J-150	1.50" (38)	1.88" (48)	0.75" (19)	1.57" (40)	2.38" (60)	1.63" (41)
J-200	2.00" (51)	2.44" (62)	1.00" (25)	2.00" (51)	3.00" (76)	2.00" (51)
J-250	2.50" (64)	2.94" (75)	1.25" (32)	2.50" (65)	3.88" (98)	2.63" (67)
J-300	3.00" (76)	3.94" (100)	1.50" (38)	3.00" (76)	4.50" (114)	3.00" (76)
J-400	4.00" (102)	4.50" (114)	2.00" (51)	3.94" (100)	5.88" (149)	3.88" (98)
J-500	5.00" (127)	6.50" (165)	2.50" (64)	4.88" (124)	7.26" (184)	4.76" (121)



ARMOR JOINT


 300 EAST CHERRY STREET, NORTH BALTIMORE, OHIO 45872
 PH.419-257-3561 / FX.419-257-2200 WWW.DSBROWN.COM
D.S. BROWN A GIBRALTAR INDUSTRIES COMPANY

'J' SERIES COMPRESSION SEAL

DRAWN BY: ARB	SCALE:	DATE: 11/22/17
CHECKED:	MAT'L:	DRAWING NO:
REVISION:		