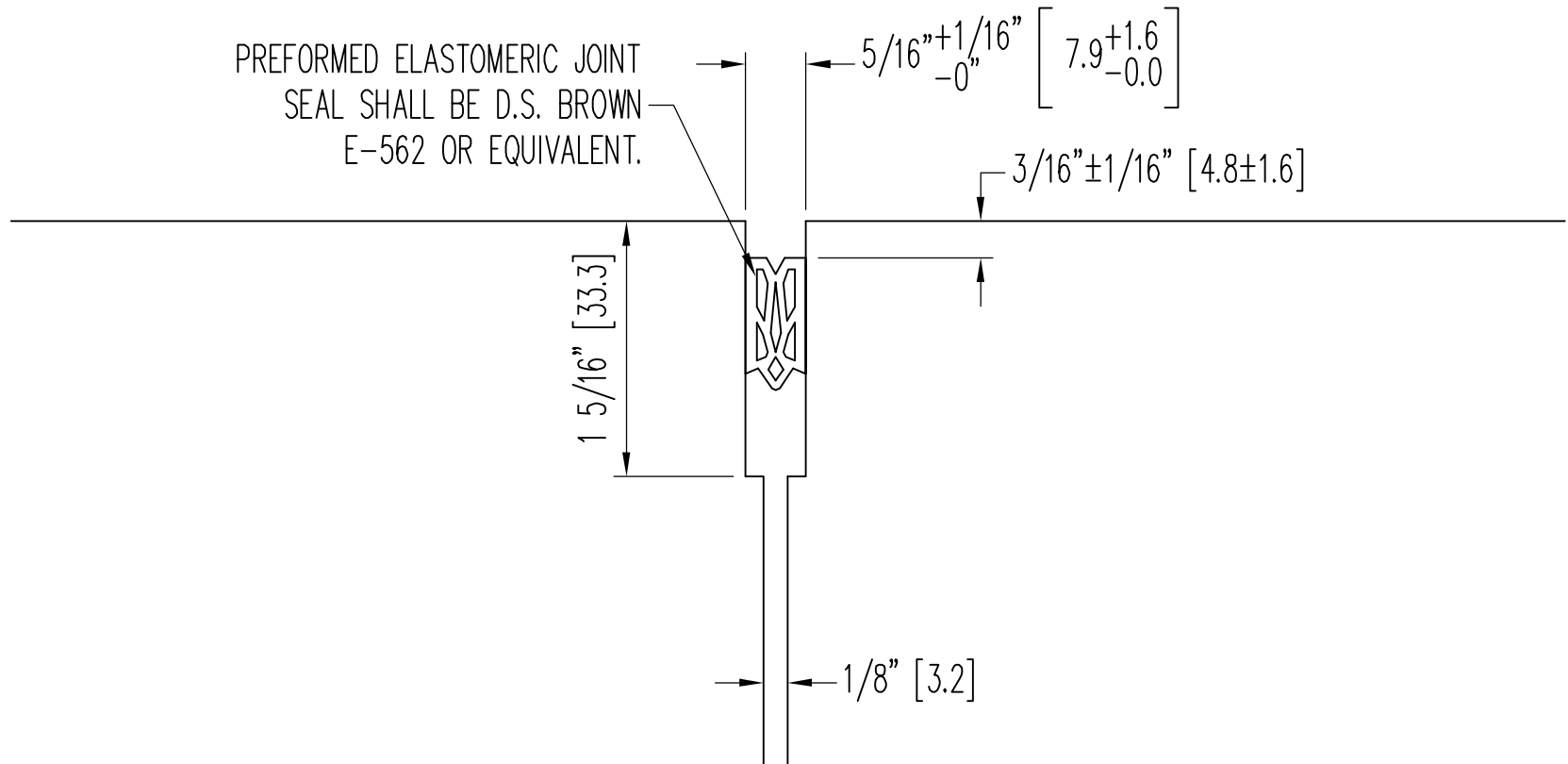



PREFORMED ELASTOMERIC JOINT  
SEAL SHALL BE D.S. BROWN  
E-562 OR EQUIVALENT.



CONTRACTION JOINT SEAL DETAIL  
E-562 COMPRESSION SEAL

 <p>NORTH BALTIMORE, OHIO CHASKA, MINNESOTA <b>D.S. BROWN</b> www.dsbrown.com</p>	SCALE: N.T.S.	DRAWN BY: A.B.	CHECKED BY:	DATE: 04-10-12
	FOLDER: SEAL \ COMPRESSION-SEAL \ E			REVISION: