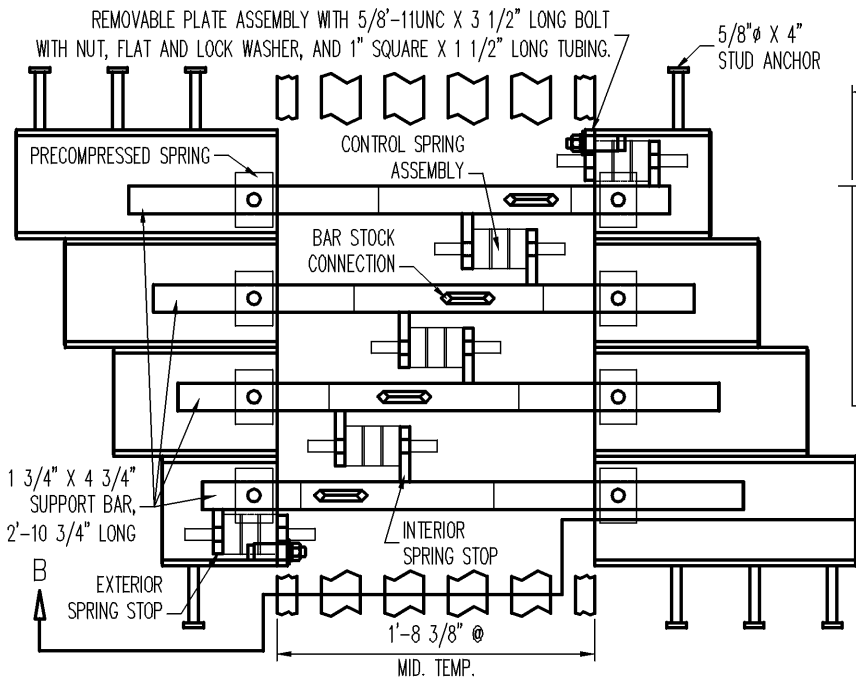


TYPICAL 'D-400' PLAN VIEW

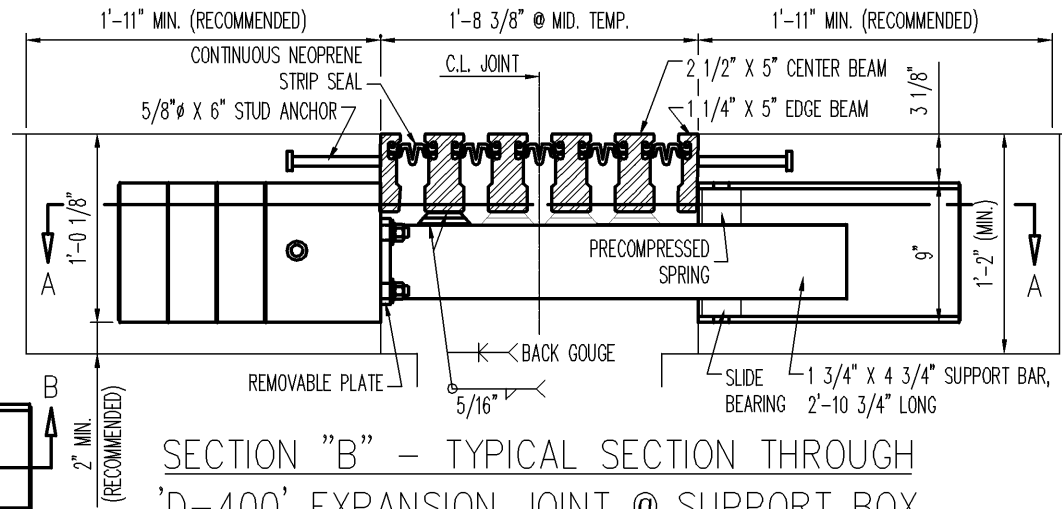
NOTE:

ALL DIMENSIONS SHOWN ARE BASED ON A 0° SKEW.

ALL FABRICATED COMPONENTS SHALL BE GALVANIZED IN ACCORDANCE WITH ASTM A123.



DETAIL "A" - PLAN VIEW OF 'D-400' EXPANSION JOINT @ SUPPORT BOX



SECTION "B" - TYPICAL SECTION THROUGH 'D-400' EXPANSION JOINT @ SUPPORT BOX

DS BROWN STANDARD DETAILS FOR STEELFLEX 'D-400' MODULAR EXPANSION JOINT ASSEMBLY

|                           |           |             |           |                |
|---------------------------|-----------|-------------|-----------|----------------|
| SCALE:                    | DRAWN BY: | CHECKED BY: | DATE:     | DRAWING NUMBER |
| N.T.S.                    | BLB       | -           | 1/4/06    | 1 OF 1         |
| FOLDER:                   |           |             | REVISION: | SHEET          |
| MODULAR STANDARD DRAWINGS |           |             |           | D400-PV-S      |

