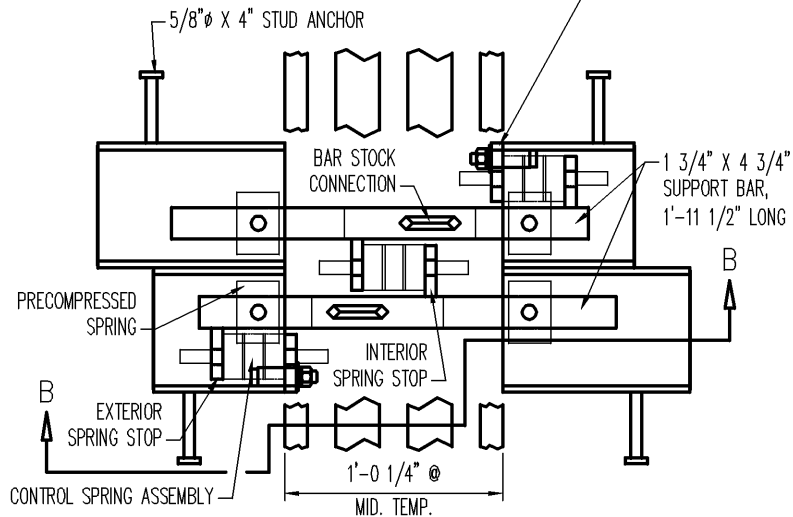
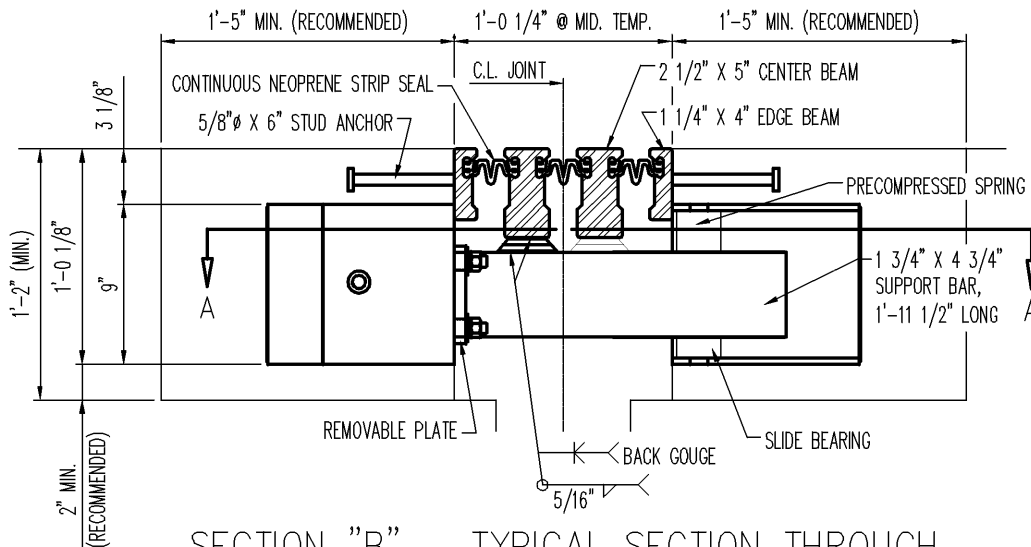


TYPICAL 'D-240' PLAN VIEW

REMOVABLE PLATE ASSEMBLY WITH 5/8"-11UNC X 3 1/2" LONG BOLT WITH NUT, FLAT AND LOCK WASHER, AND 1" SQUARE X 1 1/2" LONG TUBING.



DETAIL "A" - PLAN VIEW OF 'D-240' EXPANSION JOINT @ SUPPORT BOX



SECTION "B" - TYPICAL SECTION THROUGH 'D-240' EXPANSION JOINT @ SUPPORT BOX

NOTE: ALL DIMENSIONS SHOWN ARE BASED ON A 0° SKEW.

ALL FABRICATED COMPONENTS SHALL BE GALVANIZED IN ACCORDANCE WITH ASTM A123.

DS BROWN STANDARD DETAILS FOR STEELFLEX 'D-240' MODULAR EXPANSION JOINT ASSEMBLY

| | | | | |
|--------------------------------------|------------------|------------------|-----------------|--------------------------|
| SCALE: N.T.S. | DRAWN BY: BLB | CHECKED BY: - | DATE: 1/4/06 | DRAWING NUMBER 1 OF 1 |
| FOLDER: MODULAR STANDARD DRAWINGS | | | REVISION: | SHEET D240-PV-S |

