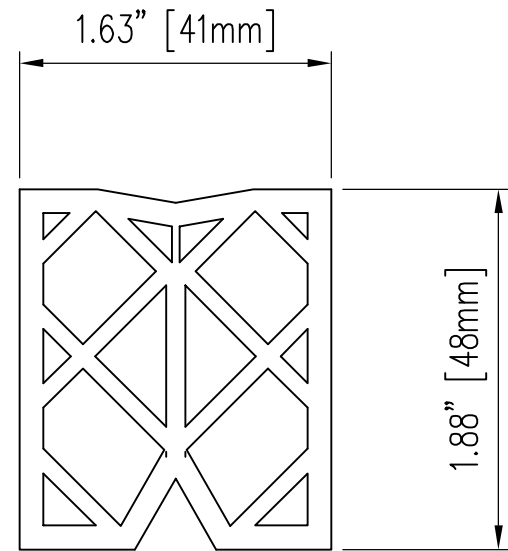


MAX. MOVEMENT = .66" (17mm)



300 EAST CHERRY STREET
 NORTH BALTIMORE, OHIO 45872
 PH.419-257-3561 / FX.419-257-2200



D.S. BROWN
 A GIBRALTAR INDUSTRIES COMPANY

www.dsbrown.com

CV-1625 COMPRESSION SEAL