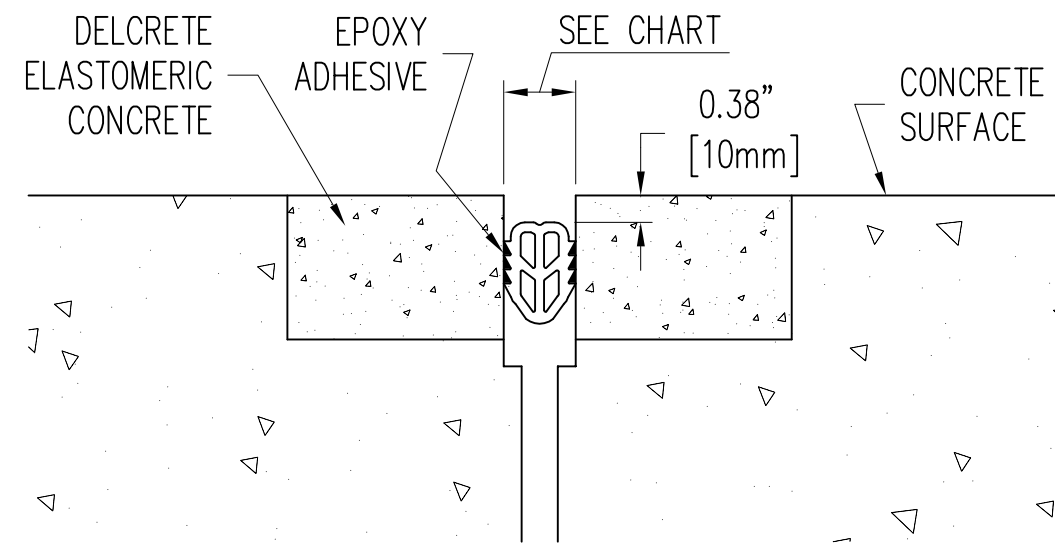
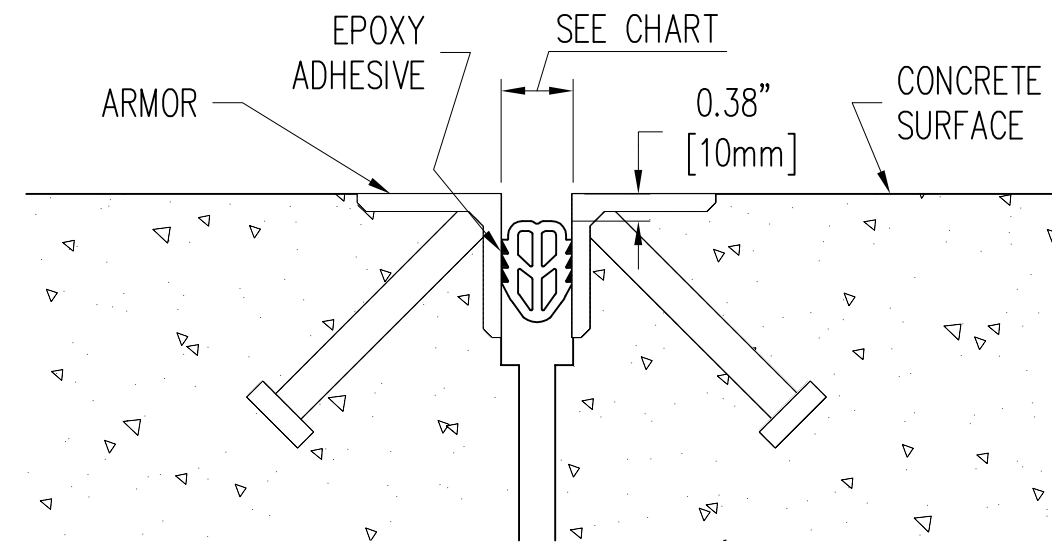


CONCRETE JOINT



DELCRETE HEADER

PRODUCT SIZE & MOVEMENT - INCHES (mm)						
SEAL SIZE			MOVEMENT			
NAME	WIDTH	HEIGHT	MIN. WIDTH	MID-RANGE	MAX. WIDTH	TOTAL MOVEMENT
JP-100	1.00" (25)	1.19" (30)	0.65" (17)	1.00" (25)	1.35" (34)	0.70" (18)
JP-150	1.50" (38)	1.88" (48)	0.98" (25)	1.50" (38)	2.02" (51)	1.04" (26)
JP-200	2.00" (51)	2.44" (62)	1.3" (33)	2.00" (51)	2.70" (69)	1.40" (36)
JP-250	2.50" (64)	2.94" (75)	1.63" (41)	2.50" (65)	3.38" (86)	1.75" (45)
JP-300	3.00" (76)	3.94" (100)	1.95" (50)	3.00" (76)	4.02" (102)	2.07" (53)
JP-350	3.50" (89)	4.00" (102)	2.30" (58)	3.53" (90)	4.75" (121)	2.45" (62)
JP-400	4.00" (102)	4.50" (114)	2.60" (66)	4.00" (102)	5.40" (137)	2.80" (71)
JP-500	5.00" (127)	6.00" (152)	3.25" (84)	5.00" (127)	6.75" (172)	3.50" (89)



ARMOR JOINT

300 EAST CHERRY STREET, NORTH BALTIMORE, OHIO 45872  
 PH.419-257-3561 / FX.419-257-2200 WWW.DSBROWN.COM  
**D.S. BROWN** A GIBRALTAR INDUSTRIES COMPANY

**'JP' SERIES COMPRESSION SEAL**

DRAWN BY: ARB	SCALE:	DATE: 11/22/17
CHECKED:	MAT'L:	DRAWING NO:
REVISION:		