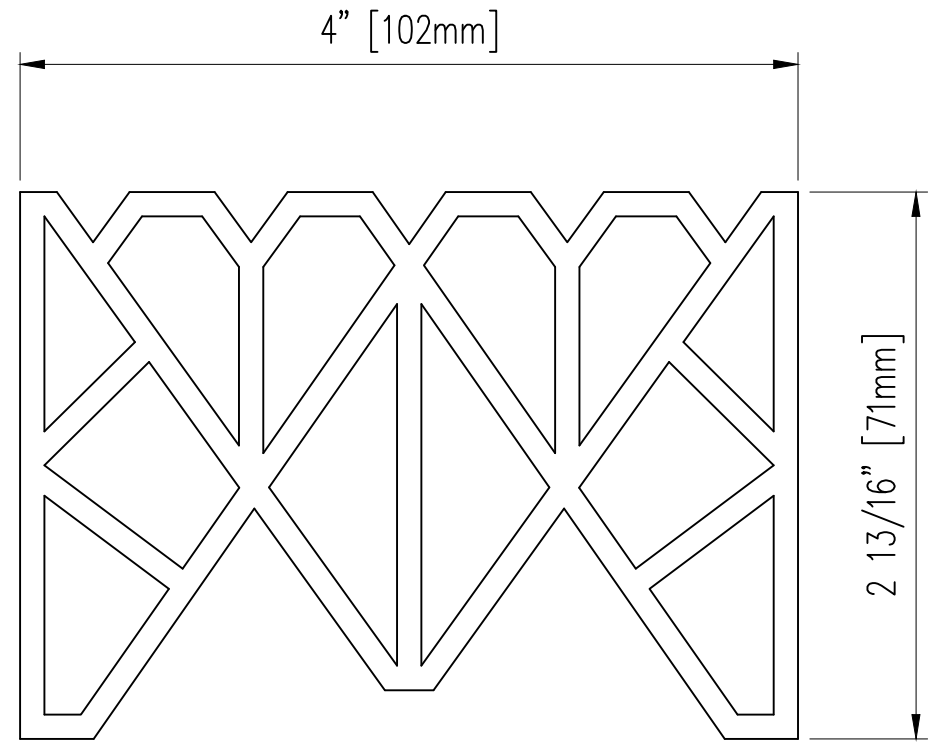


MAX. MOVEMENT = 1.80" (46mm)



300 EAST CHERRY STREET  
 NORTH BALTIMORE, OHIO 45872  
 PH. 419-257-3561 / FX. 419-257-2200  
**D.S. BROWN**  
 A GIBRALTAR INDUSTRIES COMPANY  
[www.dsbrown.com](http://www.dsbrown.com)

AF-400 COMPRESSION SEAL