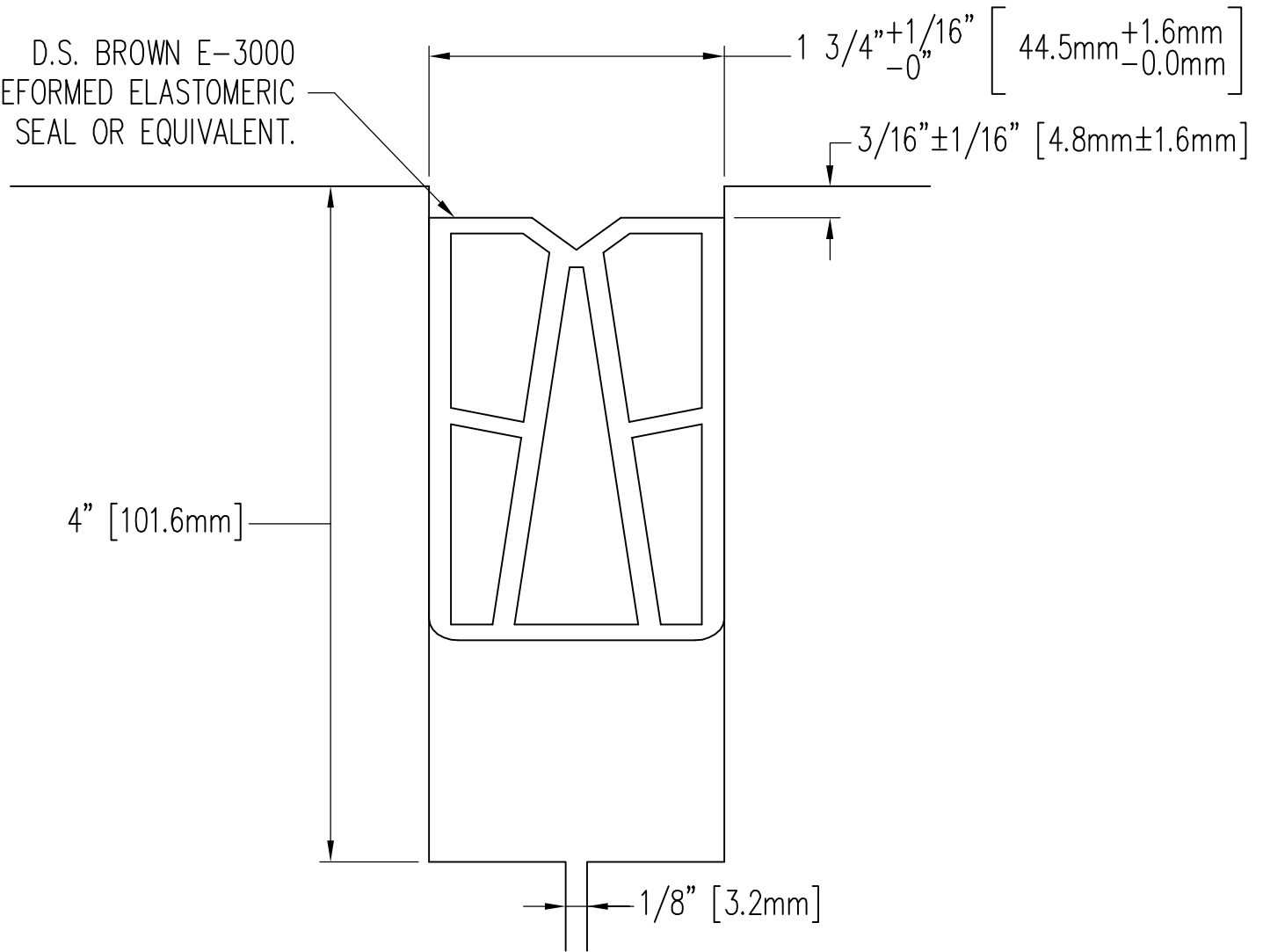


D.S. BROWN E-3000
PREFORMED ELASTOMERIC
JOINT SEAL OR EQUIVALENT.



MAX. MOVEMENT = 1.550'' $\left[39.37\text{mm} \right]$