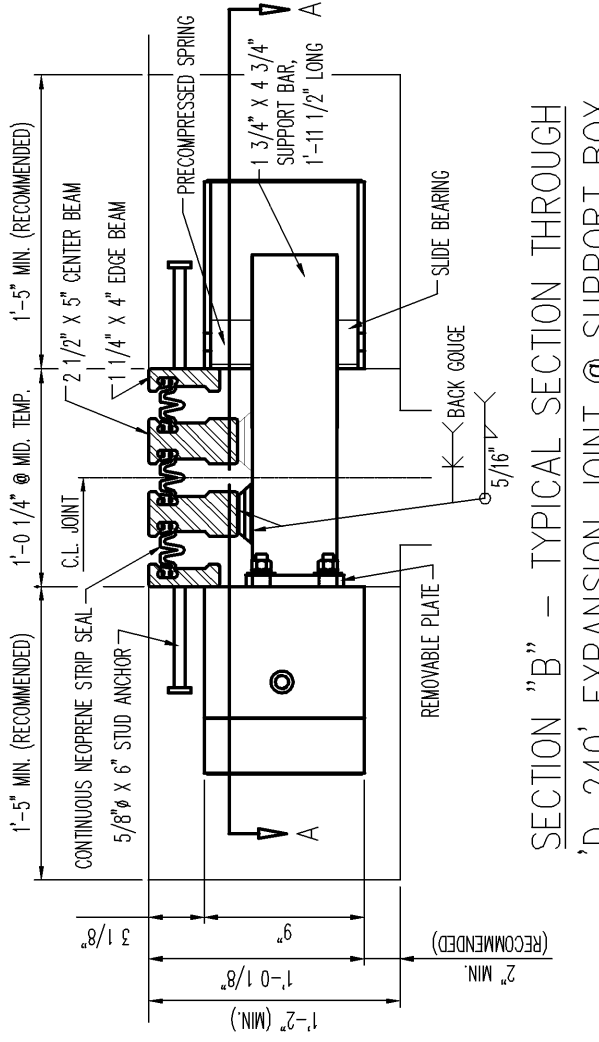
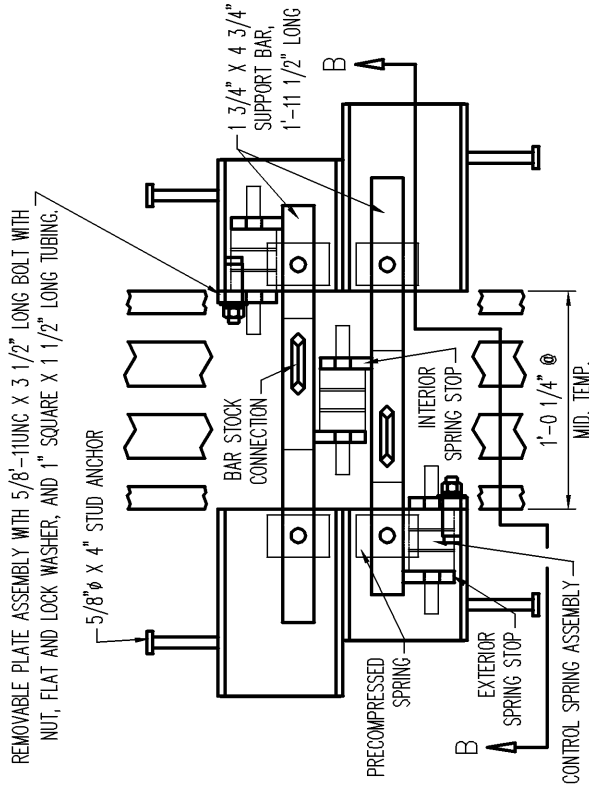


TYPICAL 'D-240' PLAN VIEW



SECTION "B" - TYPICAL SECTION THROUGH 'D-240' EXPANSION JOINT @ SUPPORT BOX



DETAIL "A" - PLAN VIEW OF 'D-240' EXPANSION JOINT @ SUPPORT BOX

NOTE: ALL DIMENSIONS SHOWN ARE BASED ON A 0° SKEW.

ALL FABRICATED COMPONENTS SHALL BE GALVANIZED IN ACCORDANCE WITH ASTM A123.



DS BROWN STANDARD DETAILS FOR STEELFLEX
'D-240' MODULAR EXPANSION JOINT ASSEMBLY

SCALE: N.T.S.
DRAWN BY: BLB
CHECKED BY: -
DATE: 1/4/06
DRAWING NUMBER: 1 OF 1

FOLDER: MODULAR STANDARD DRAWINGS
REVISION: D240-PV-S
SHEET