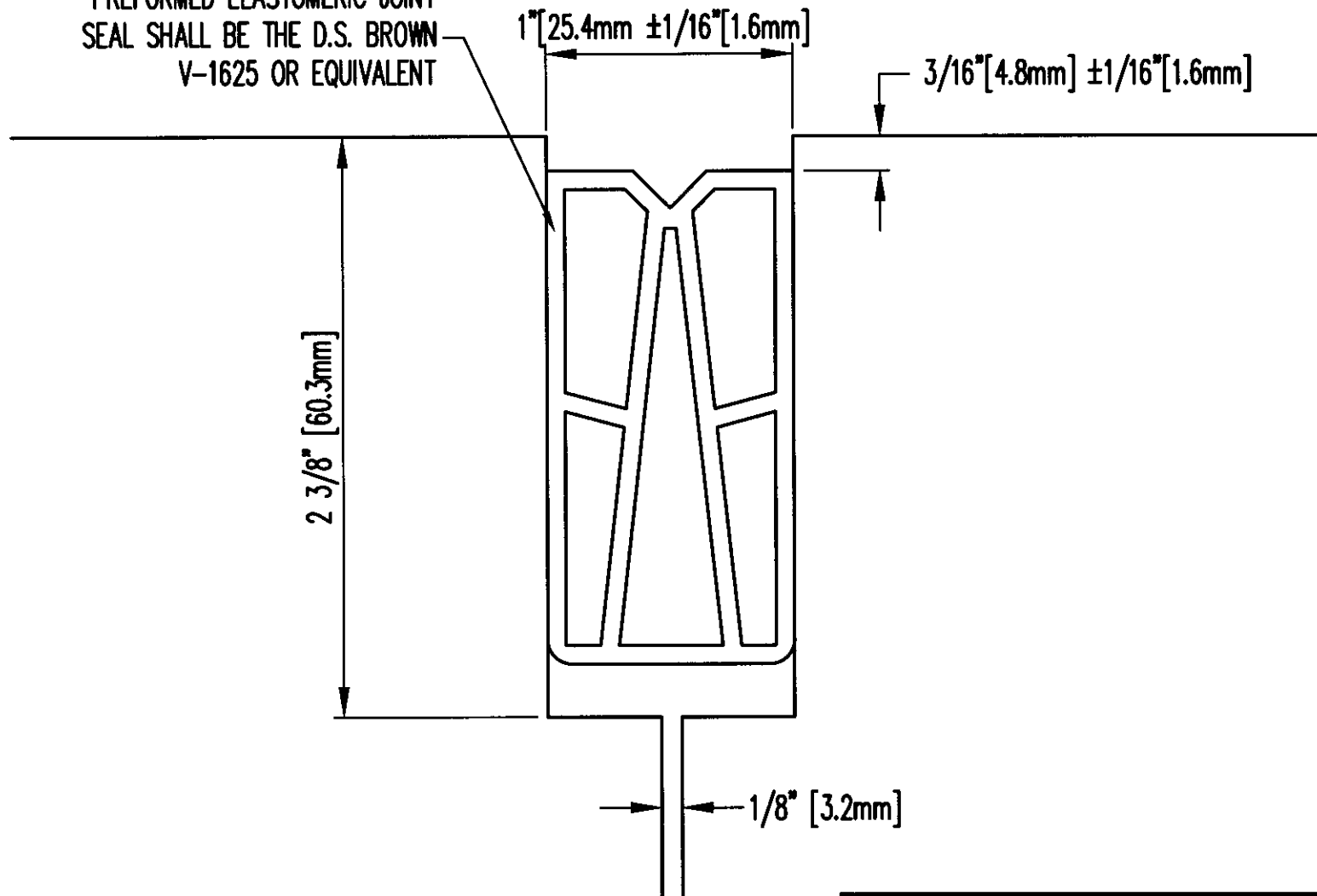


PREFORMED ELASTOMERIC JOINT SEAL SHALL BE THE D.S. BROWN V-1625 OR EQUIVALENT



THE D.S. BROWN COMPANY, INC.
 NORTH BALTIMORE, OHIO 45872-0158

CONTRACTION JOINT SEAL DETAIL

DRAWN BY: A.B.	SCALE: N/A	DATE: 06-13-97
CHECKED:	MAT'L:	DRAWING NO:
DIE NO.:	DURO:	V1625-JO

DSB FILE NO:
 COMPSEAL\V1625-JO