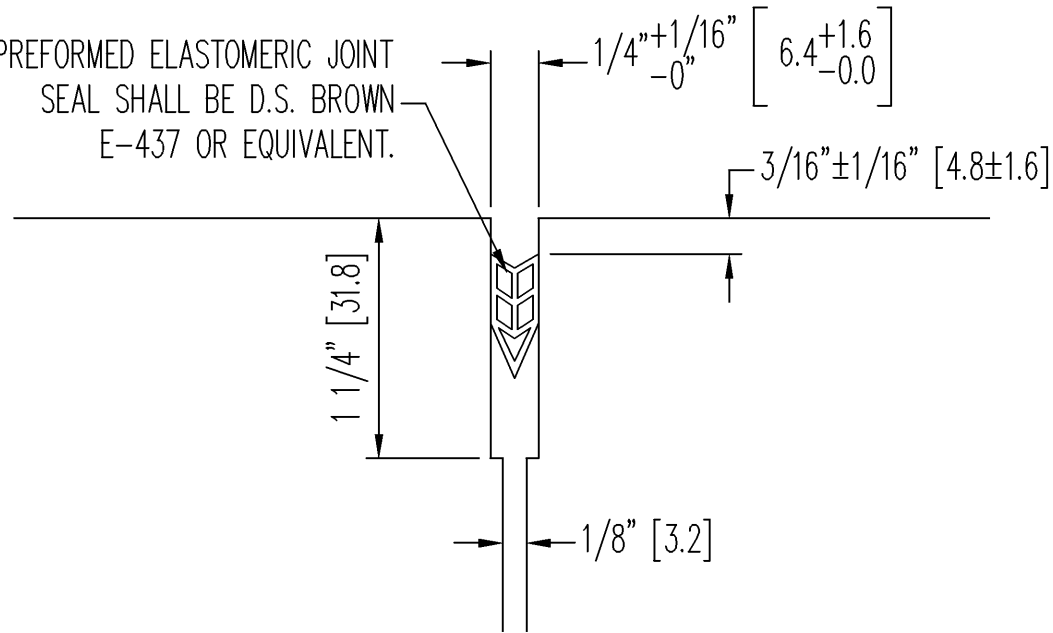


PREFORMED ELASTOMERIC JOINT SEAL SHALL BE D.S. BROWN E-437 OR EQUIVALENT.



CONTRACTION JOINT SEAL DETAIL  
E-437 COMPRESSION SEAL



SCALE: N.T.S.	DRAWN BY: A.B.	CHECKED BY:	DATE: 03-21-95	REV. DATE 03-08-03
FOLDER: SEAL\COMPRESSION-SEAL\E			REVISION: 1	SHEET E437-JO