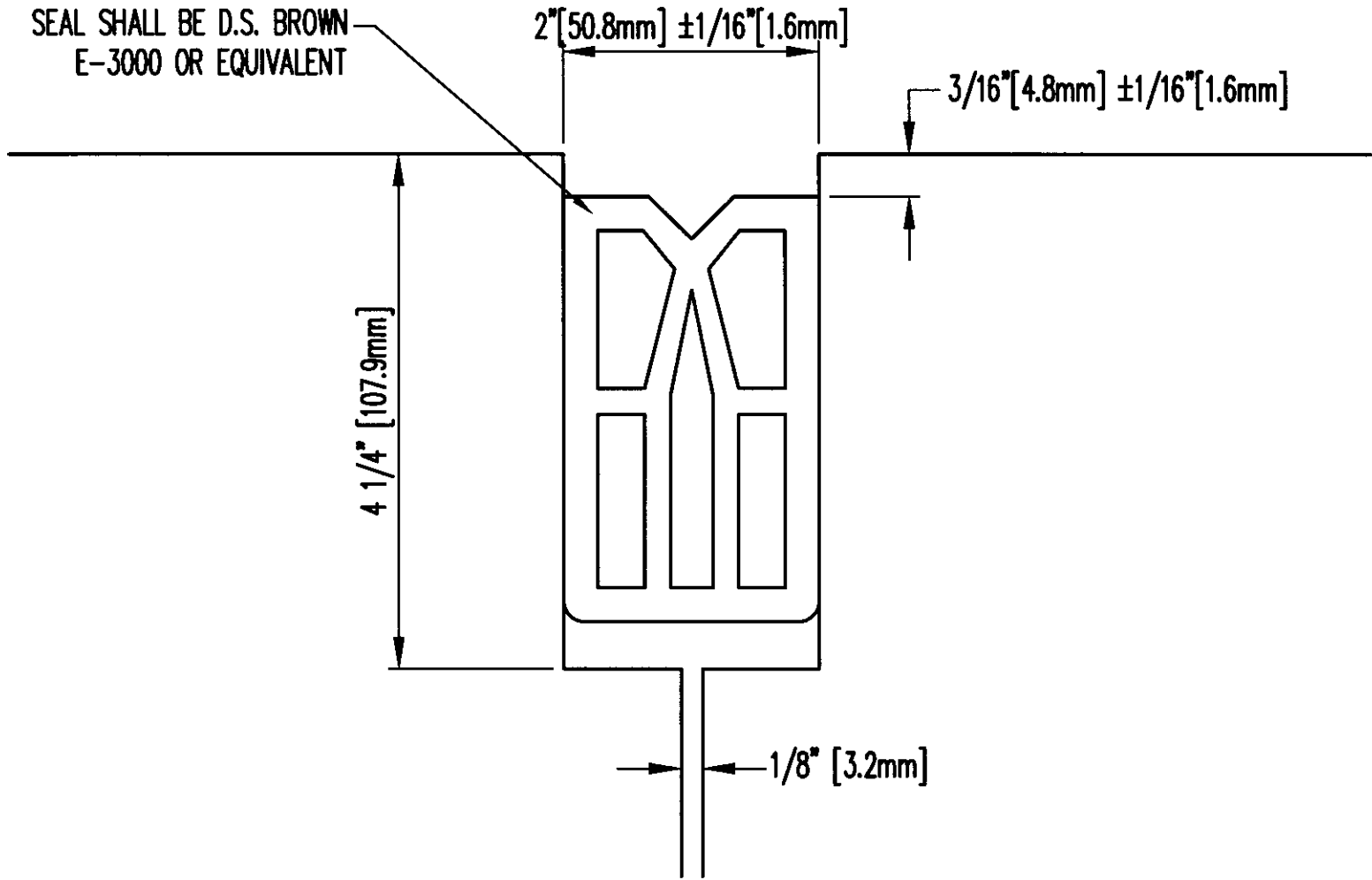


PREFORMED ELASTOMERIC JOINT
SEAL SHALL BE D.S. BROWN
E-3000 OR EQUIVALENT



THE D.S. BROWN COMPANY, INC.
NORTH BALTIMORE, OHIO 45872-0158

EXPANSION JOINT SEAL DETAIL

DRAWN BY: A.B.	SCALE: N/A	DATE: 04-13-01
CHECKED:	MAT'L:	DRAWING NO:
DIE NO.:	DURO:	E3000-JO

DSB FILE NO:
COMPSEAL\E3000-JO