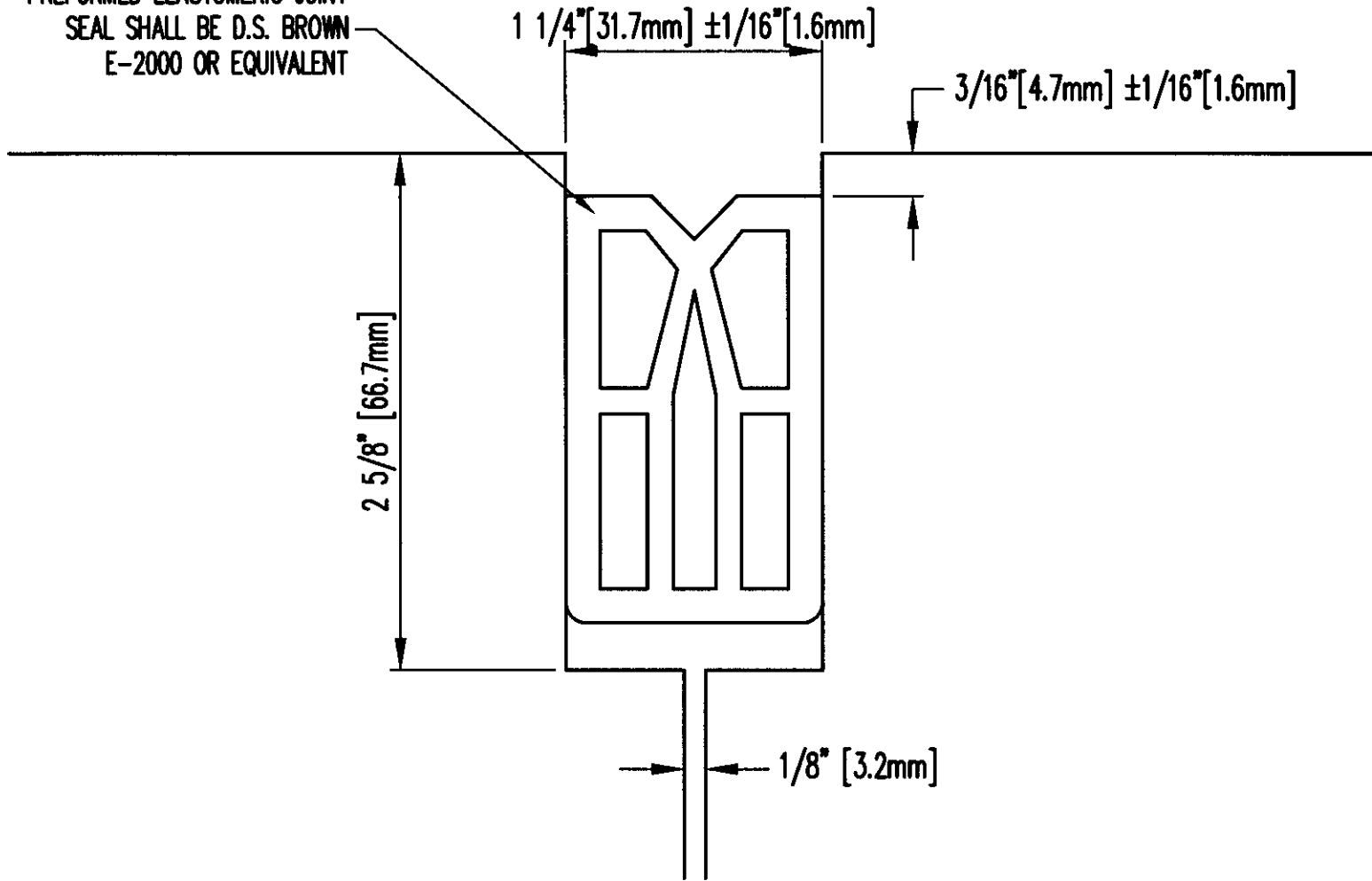


PREFORMED ELASTOMERIC JOINT  
SEAL SHALL BE D.S. BROWN  
E-2000 OR EQUIVALENT



THE D.S. BROWN COMPANY, INC.  
NORTH BALTIMORE, OHIO 45872-0158

### EXPANSION JOINT SEAL DETAIL

DSB FILE NO:  
COMPSEAL\E2000-JO

DRAWN BY: A.B.	SCALE: N/A	DATE: 04-13-01
CHECKED:	MAT'L:	DRAWING NO:
DIE NO.:	DURO:	E2000-JO