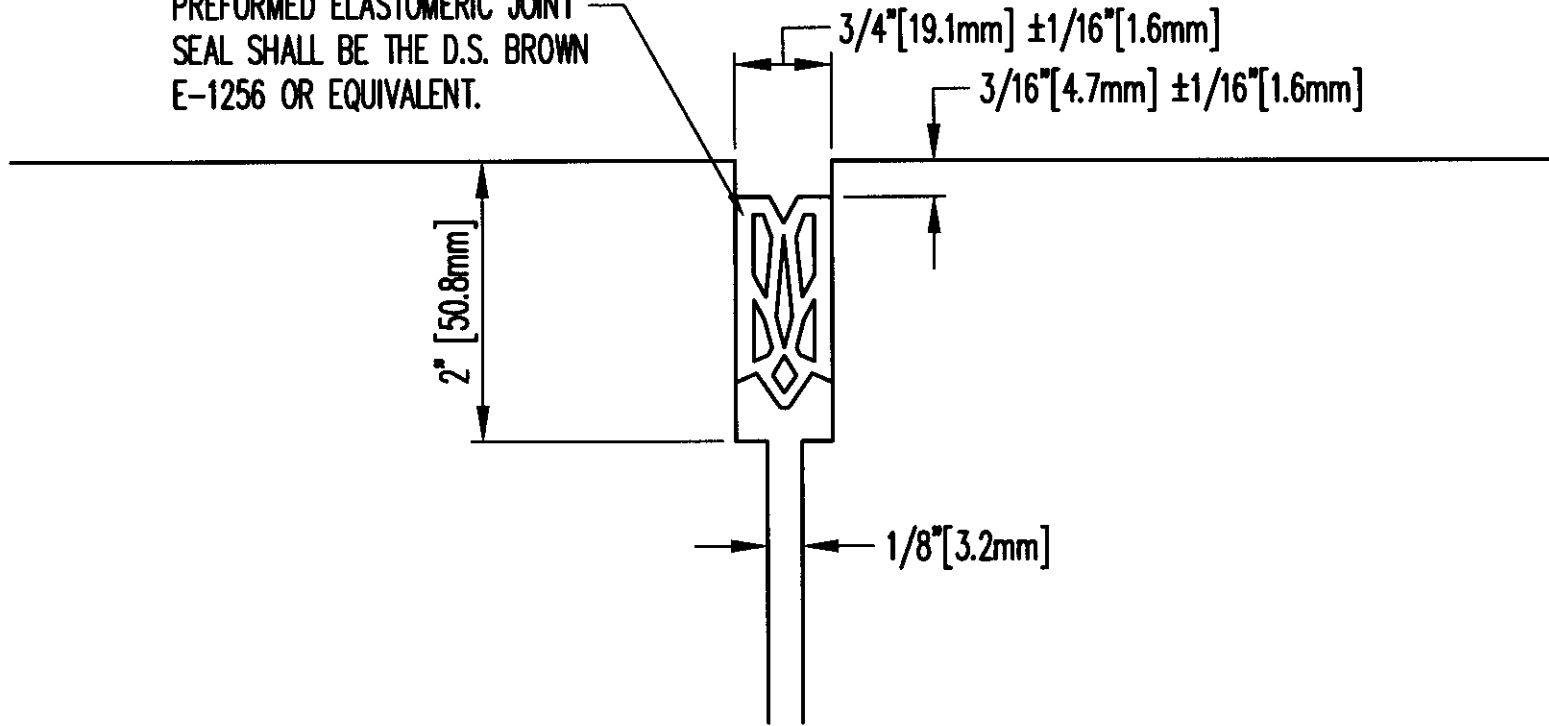


PREFORMED ELASTOMERIC JOINT SEAL SHALL BE THE D.S. BROWN E-1256 OR EQUIVALENT.



THE D.S. BROWN COMPANY, INC.
 NORTH BALTIMORE, OHIO 45872-0158

CONTRACTION JOINT SEAL DETAIL

DRAWN BY: A.B.	SCALE:	DATE: 06-13-97
CHECKED:	MAT'L:	DRAWING NO:
DIE NO.:	DURO:	E1256-JO

DSB FILE NO:
 COMPSEAL\E1256-JO