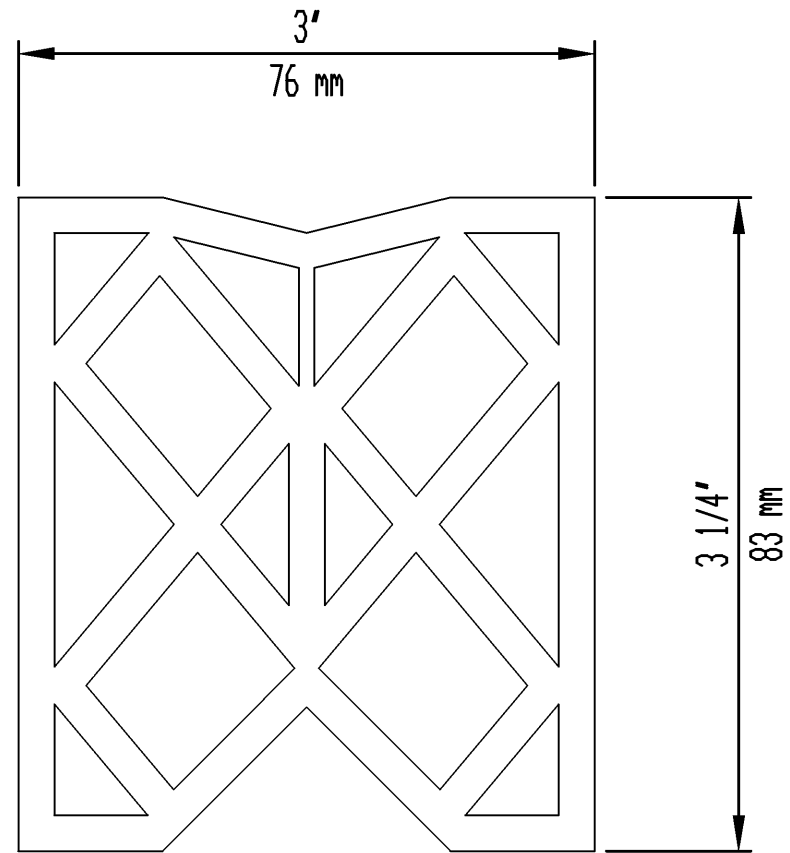


MAX. MOVEMENT = 1.20" (31mm)



THE D.S. BROWN COMPANY, INC. NORTH BALTIMORE, OHIO 45872-0158		
CV-3000 COMPRESSION SEAL		
DRAWN BY: DHA	SCALE:	DATE: 3-28-89
CHECKED:	MAT'L:	DRAWING NO:
REVISION:		CV-3000

DSB FILE NO:
COMPSEAL\CV-3000C