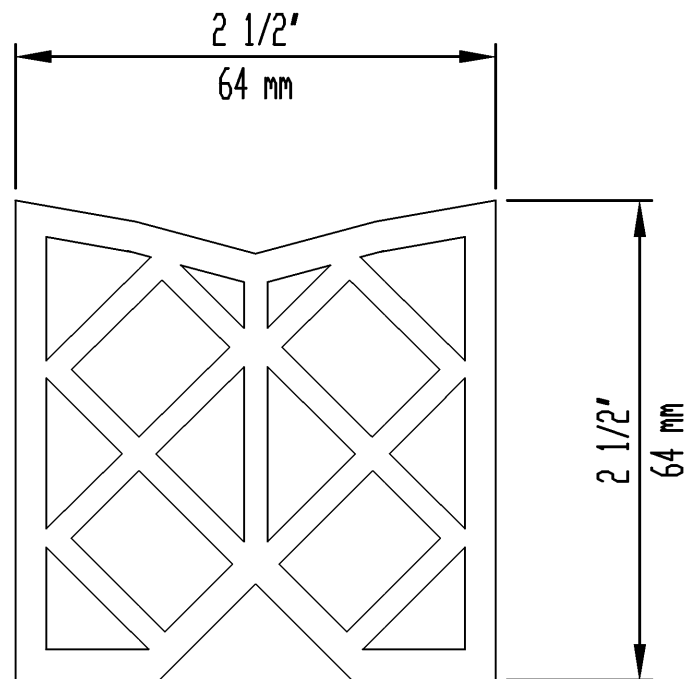


MAX. MOVEMENT = 1.00" (25mm)



THE D.S. BROWN COMPANY, INC. NORTH BALTIMORE, OHIO 45872-0158		
CV-2502 COMPRESSION SEAL		
DRAWN BY:	SCALE:	DATE: 10-15-88
CHECKED:	MAT'L:	DRAWING NO:
REVISION:		CV-2502

DSB FILE NO:
COMPSEAL\CV-2502C