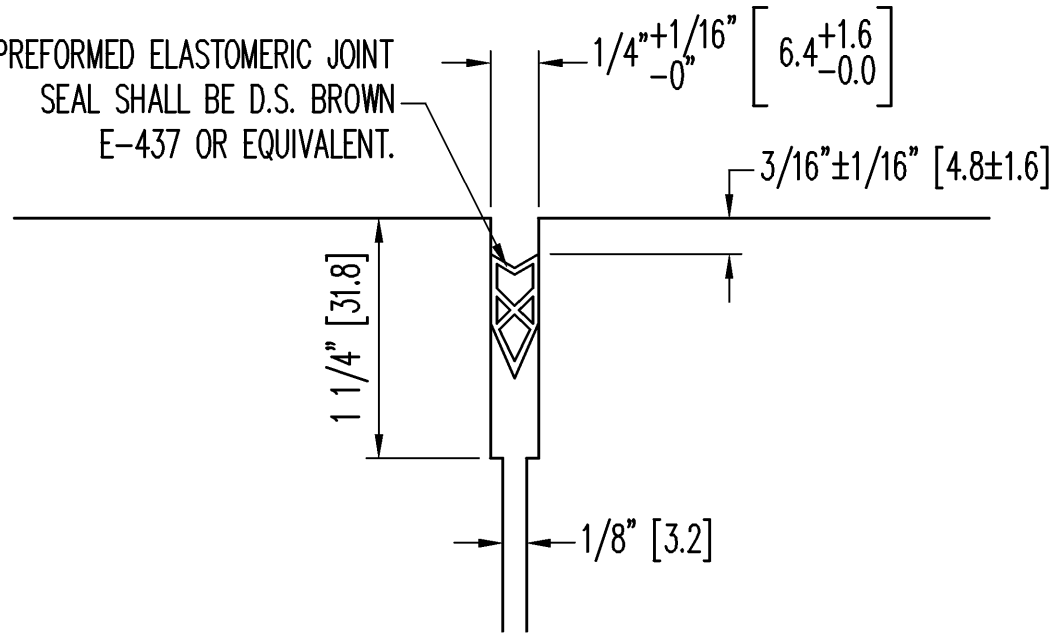


PREFORMED ELASTOMERIC JOINT SEAL SHALL BE D.S. BROWN E-437 OR EQUIVALENT.



CONTRACTION JOINT SEAL DETAIL
E-437 COMPRESSION SEAL



SCALE: N.T.S.	DRAWN BY: A.B.	CHECKED BY:	DATE: 03-21-95	REV. DATE: 03-22-04
FOLDER: SEAL\COMPRESSION-SEAL\E			REVISION: 2	SHEET E437-JO